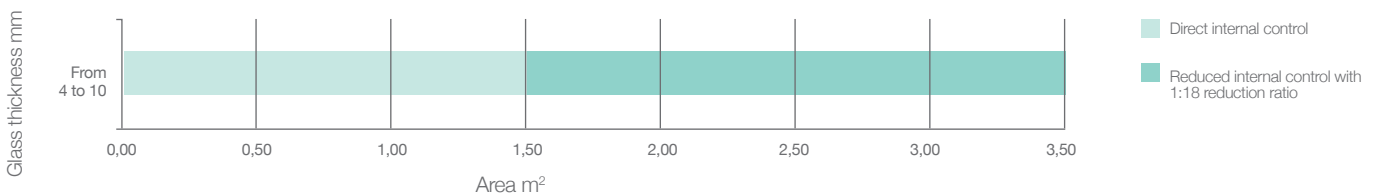


ScreenLine®

New feasibility charts
for “C” venetian systems

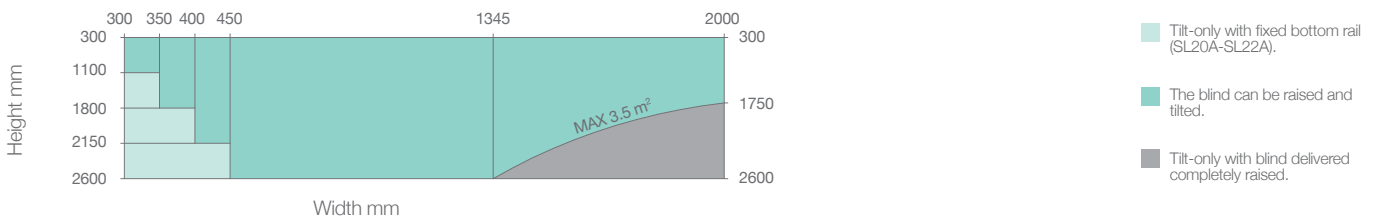


SL20C-22C venetian – maximum feasible area 3.5 m² with maximum internal glass thickness 10 mm

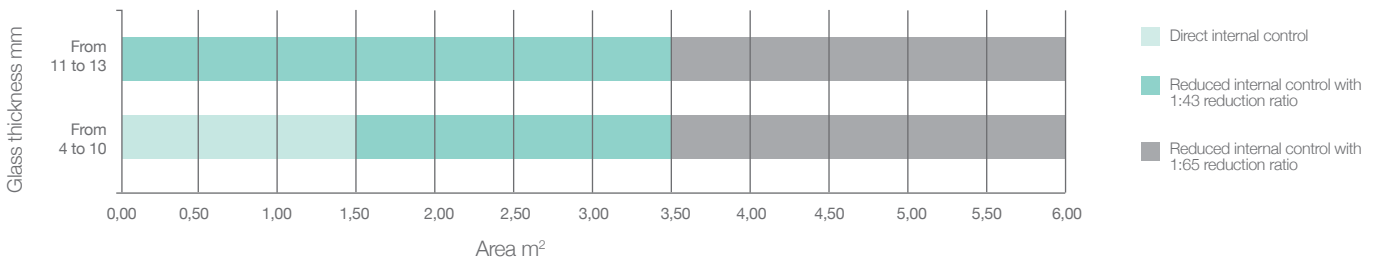


With external motor 24V: up to 2.5 m² operating speed is about 1.5 m/min. From 2.51 m² to 3.5 m² operating speed is about 1 m/min.

Feasibility



SL27C-32C venetian – maximum feasible area 6 m² with maximum internal glass thickness 13 mm

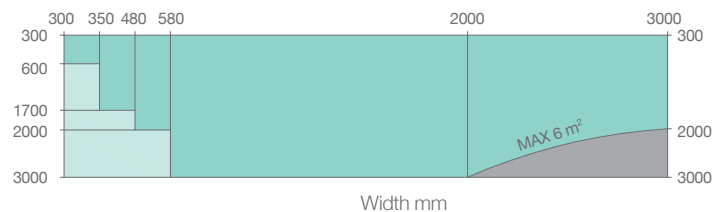


With external motor: up to 3.5 m² operating speed is about 1.5 m/min. From 3.51 m² to 6 m² operating speed is about 1 m/min.

Feasibility SL27C

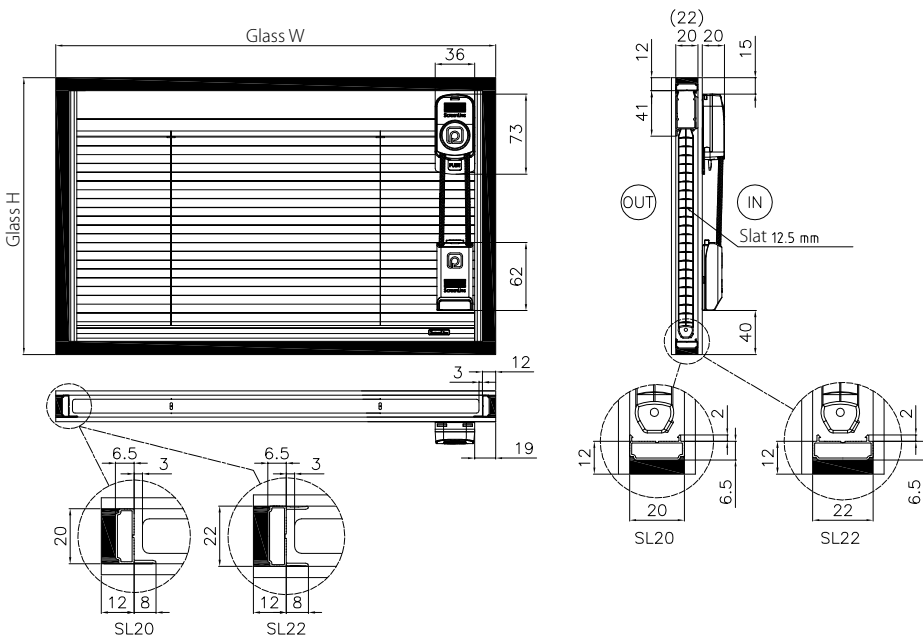


Feasibility SL32C

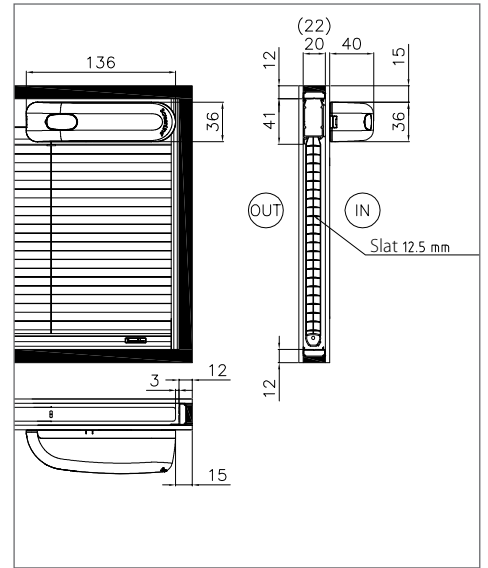


- Tilt-only with fixed bottom rail (SL27A-SL32A).
- The blind can be raised and tilted.
- Tilt-only with blind delivered completely raised.

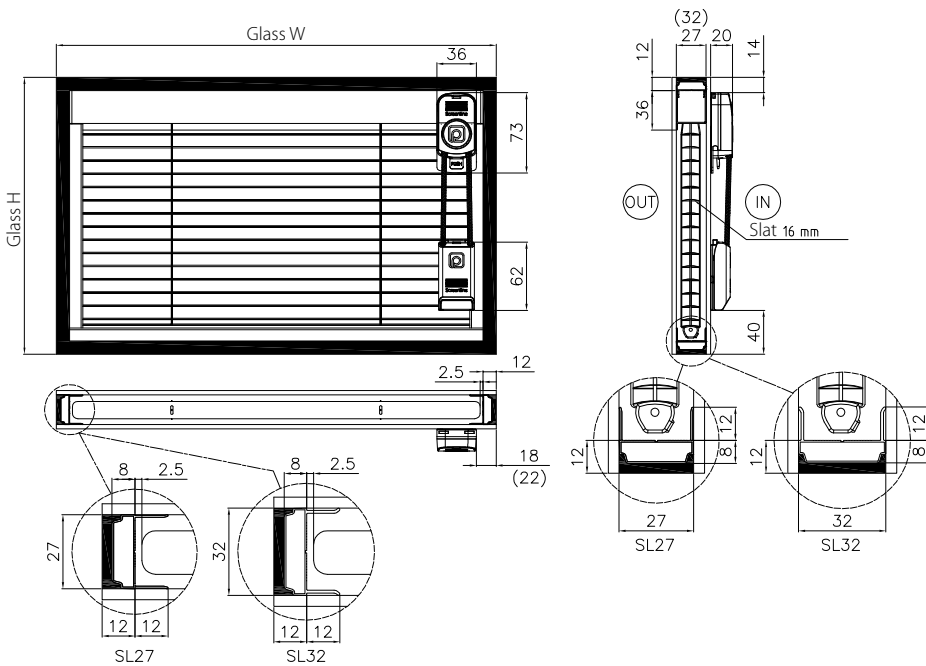
SL20C-22C venetian
Cord-operated



SL20C-22C venetian
with external motor



SL27C-32C venetian
Cord-operated



SL27C-32C venetian
with external motor

